

# M01mini Miniature unit



- Miniature unit
- 10 x 30 mm printing area
- 400 prints per minute
- Operation parameter storage

Miniature hot stamping unit with particularly small dimensions (86 x 112 x 242 mm), to be used in packaging machines with a minimum of available space. Despite its small size, the M01mini represents an efficient and versatile unit.

The M01mini S is a variant with the print head attached on the side.

## Structural features

- Basic unit with separate control unit
- Simple feeding of the stamping foil
- Exact foil advance adjustment
- Electronic p-control for constant print head temperature
- Electronic analysis and indicator for broken sensor and insufficient or excess temperature
- NPN / PNP pulse input (reversible) with visual indicator
- Electronic printing mark scanner
- Electronic time delay or impulse stop
- Electronic output (short-circuit-proof) for solenoid valve
- Electronic foil end warning system

## Options / accessories

- Foil guide shield
- Mounting systems
- Print types and individual printing blocks (no numbering devices)
- Color foils, matching the unit and the respective material

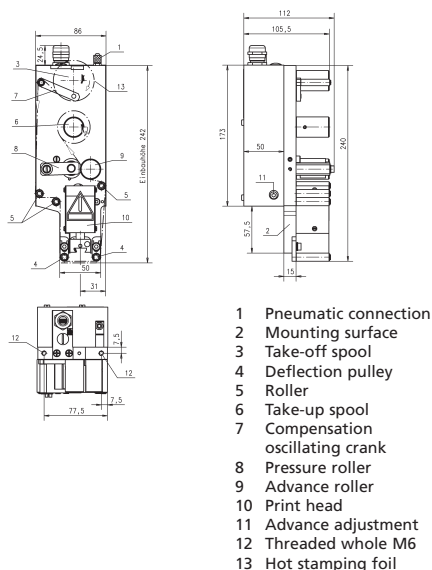
## Unit variants

- M01mini S with the print head attached on the side  
Unit dimensions M01mini S: 215 x 112 x 100 mm, L x W x H

## Technical Data

Dimensions:	86 x 112 x 242 mm, L x W x H
Printing area:	up to 10 x 30 mm
Capacity:	up to 400 prints / min. - depending on material and effective printing area
Color foil length:	max. 122 m, ø 72 mm
Foil advance:	2 - 10 mm - infinitely variable
Print pressure:	approx. 300 N at 6 bar
Type of drive:	pneumatic
Air supply:	min. 4 - max. 6 bar, ø 6/4 mm
Air consumption:	approx. 0.06 l per printing cycle
Electric control:	230 V (115 V, 200 V) - 10% up to +6%, 50 / 60 Hz, 225 VA
Safety classification:	I; control unit: safety classification I, type of protection IP 54
Temperature:	approx. 343 - 473 K (70° to 200° C) - infinitely variable
Dwelling time:	approx. 5 to 700 ms - infinitely variable

subject to technical modification



- 1 Pneumatic connection
- 2 Mounting surface
- 3 Take-off spool
- 4 Deflection pulley
- 5 Roller
- 6 Take-up spool
- 7 Compensation oscillating crank
- 8 Pressure roller
- 9 Advance roller
- 10 Print head
- 11 Advance adjustment
- 12 Threaded whole M6
- 13 Hot stamping foil